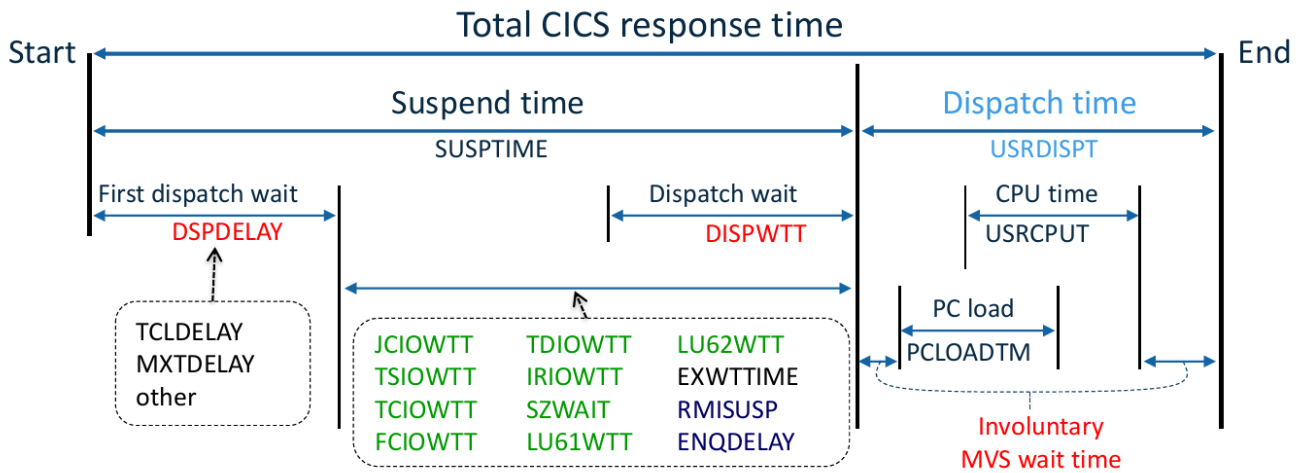




Welcome to the Virtual CICS user group newsletter. The Virtual CICS user group at [www.fundi.com/virtualcics](http://www.fundi.com/virtualcics) is an independently-operated vendor-neutral site run by and for the CICS user community.



**Figure 1: CICS transaction response time structure**

## Virtual CICS user group presentation

The latest webinar from the Virtual CICS user group was entitled, "Managing CICS Performance and Configuration using CICS PA and CM", and was presented by Ezriel Gross, CEO of Circle Software Inc.

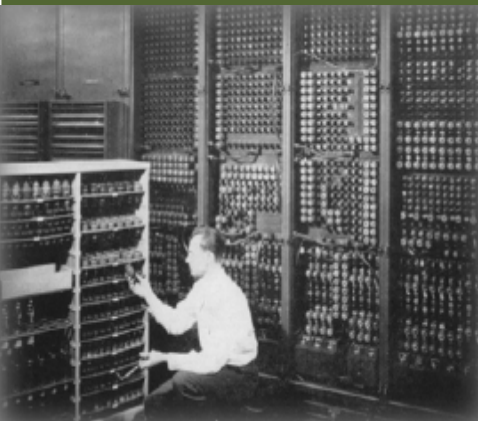
Ezriel is the CEO of Circle Software, an IBM Business

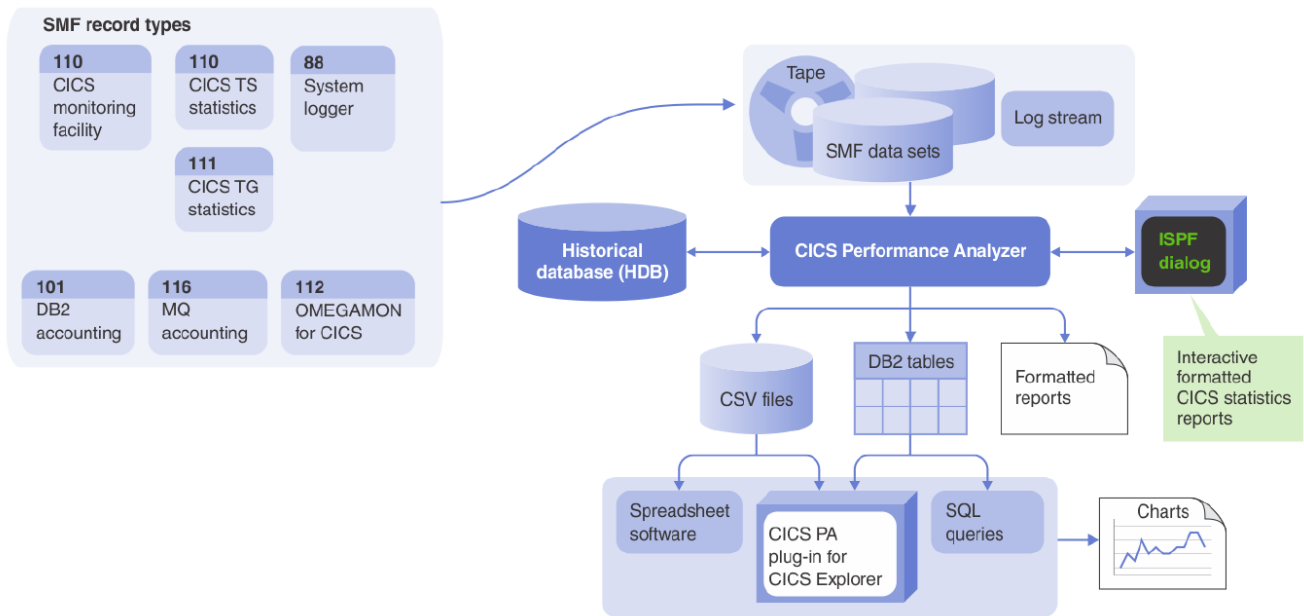
Partner that specializes in hands-on classes in CICS, DB2, and MQSeries. Ezriel has been a 'Gold Consultant' for many years and has recently become an IBM Champion. Besides consulting, he teaches and develops CICS courses for both IBM and Circle. His specialties include: CICS Web Services, CICS Web Support, CICS Performance / Tuning, CICS

Internals, CICSplex SM, DevOps for CICS and CICS

### Contents:

Virtual CICS user group presentation	1
Meeting dates	4
Recent CICS articles	4
About the Virtual CICS user group	5





**Figure 2: CICS PA architecture**

Liberty. Recently, Ezriel co-architected the C\PROF product, a CICS tool that captures CICS trace without running in a CICS region, marketed and sold by Circle Software.

After a quick look at the CICS Tools available, Ezriel started the session by asking who can obtain value from CICS Performance Analyzer (PA)? The answer seems to be anyone who needs to monitor and manage CICS system and CICS application performance. For example:

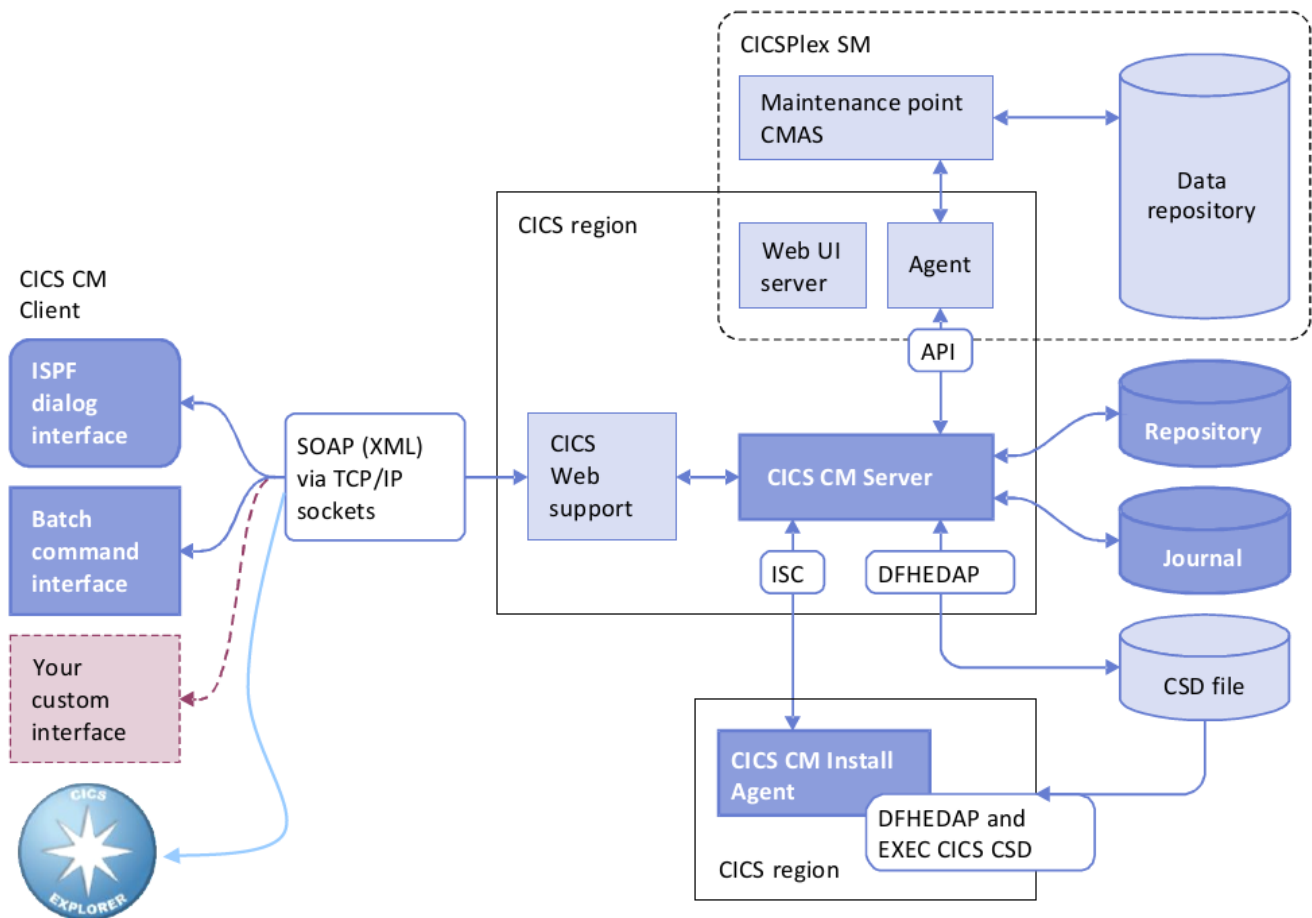
- CICS System Programmers
  - System performance monitoring and tuning
  - Improve CICS system resource usage

- Improve transaction response times
- CICS Application Programmers
  - Analyze CICS application performance
  - Transaction performance monitoring
  - DB2 and VSAM database performance monitoring
- IT Managers
  - Capacity planning
  - Service Level Agreements
  - Provide ongoing system management and measurement

reports.

The response time structure for a CICS transaction is complex (and is shown in Figure 1).

CICS PA is a comprehensive performance reporting and analysis tool for CICS that uses SMF data as input for reports. It helps to: analyze CICS application performance; improve CICS resource usage; evaluate the effects of CICS system tuning efforts; improve transaction response time; provide ongoing system management and measurement reports; increase availability of resources; increase the productivity of system and application programmers; and provide awareness of usage trends. CICS PA



**Figure 3: CICS CM architecture**

architecture is illustrated in Figure 2.

CICS PA has over 200 sample report forms, which can be customized. There are also extensive help features. CICS PA also integrates with the CICS Explorer.

Ezriel also went through a number of features that were new in CICS PA Version 5.4.

Ezriel Gross then turned his attention to look at the need for CICS CM. He suggested:

- Managing resource definitions on multiple repositories across diverse environments
- Single Point of Control with full audit control and backout
- Rapid and frequent updates to resource definitions to handle new business requirements
- Understanding the impact of definition attributes on target environments
- Identifying duplicate,

redundant and inconsistencies in resource definitions.

CICS CM architecture is illustrated in Figure 3.

Ezriel showed how it provided a single point of control over Resource Definitions, eg how to access multiple CSDs, Data Repositories, Lists, and Groups from a single interface.

With CICS CM, you can migrate definitions through the application life-cycle:

- Migration schemes identify source and target repositories
- Different schemes to progressively migrate a change package
- Transformation rules tailor definitions for each target:
  - No manual editing – it's automatic
  - Change Group names, attribute values, or resource definition names
  - Value masking is supported (eg change File DSNAMES \*DEVT\* to \*TEST\*)
  - Qualification criteria may be specified.
- Supports CSD, CPSM, or CSD/CPSM hybrid models
- Understands 'order-sequence' processing and RASGNDEF overrides
- Provides filtering for auto-install, dynamic resources, known conditions
- Reports ...

There is a CICS CM plug-in for UrbanCode Deploy. IBM UrbanCode Deploy orchestrates and automates the deployment of applications, middleware configurations and database changes. The CICS CM UrbanCode Deploy plug-in: enables the migration of CSD and/or CICSplex SM BAS definitions across development, Test, QA, and production environments; and provides function for READY, MIGRATE, INSTALL, and BACKOUT of CICS CM packages.

Ezriel then spent some time looking at the new features in CICS CM Version 5.4, especially support for zFS and DFHCSDUP.

A copy of Ezriel Gross's presentation is available for download from the Virtual CICS user group Web site at [www.fundi.com/virtualcics/presentations/CICSPAandCMMar18.pdf](http://www.fundi.com/virtualcics/presentations/CICSPAandCMMar18.pdf).

You can see and hear the

whole user group meeting by downloading the WMV file from [www.fundi.com/virtualcics/presentations/2018-03-06meeting.wmv](http://www.fundi.com/virtualcics/presentations/2018-03-06meeting.wmv).

## Meeting dates

The following meeting dates have been arranged for the Virtual CICS user group:

- 8 May 2018, when Russ Teubner, HostBridge co-founder and CEO, will be discussing "Putting CICS on the SIEM Radar Screen".
- The following meeting is on 10 July 2018, when GT Software's Glenn Schneck will be presenting.

We will be using Citrix GoToMeeting for the user group meetings.

## Recent CICS articles

*CICS Tools – A friend in your DevOps Journey with CICS* by Kasturi Mohan on CICS DevCenter (27 March 2018). You can find the article at: <https://developer.ibm.com/cics/2018/03/27/cics-tools-friend-devops-journey-cics/>

*CICS TG V9.2 Fix pack 2 available now – with support for Win 2016 !!* by Janaki Sundar on CICS DevCenter (23 March 2018). You can find the article at:

CICS CM provides backout and audit compliance:

- All changes logged to a journal file
- Backout entire change package
- Recover individual resource definitions
- View resource definition histories on screen
- Batch, ISPF, and Explorer view of change history.

CICS CM deployment analysis:

- Provides immediate analysis – no need to stop/start CICS regions

<https://developer.ibm.com/cics/2018/03/23/cics-tg-v9-2-fix-pack-2-available-now-support-win-2016/>

*The CICS RFE Process – What happens to my RFE?* by John Tilling on CICS DevCenter (1 March 2018). You can find the article at: <https://developer.ibm.com/cics/2018/03/01/cics-rfe-process-happens-rfe/>

*Extended support for EXCI Channels and Containers – now available in CICS TS 5.5 Open Beta* by John Tilling on CICS DevCenter (1 March 2018). You can find the article at: <https://developer.ibm.com/cics/2018/03/01/extended-support-exci-channels-containers-now-available-cics-ts-5-5-open-beta/>

*Workload Management using CICS Explorer: Introduction* by Stewart Francis on CICS DevCenter (28 February 2018). You can find the article at: <https://developer.ibm.com/cics/2018/02/28/intro-workload-management-cics-explorer/>

*Use Microsoft .NET Core to access your CICS applications using CICS*

*Transaction Gateway CICS TG V9.2* by Anubhuti Kaushik on CICS DevCenter (21 February 2018). You can find the article at: <https://developer.ibm.com/cics/2018/02/21/use-microsoft-net-core-access-cics-applications-using-cics-transaction-gateway-cics-tg-v9-2/>

*Java 8 recommended for CICS TS V5* by Mark Cocker on CICS DevCenter (19 February 2018). You can find the article at: <https://developer.ibm.com/cics/2018/02/19/cics-support-ibm-sdk-java-technology-edition-version-8-service-refresh-5/>

*CICS TS V5.5 open beta – GraphQL API* by Stewart Francis on CICS DevCenter (6 February 2018). You can find the article at: <https://developer.ibm.com/cics/2018/02/06/cics-ts-5-5-open-beta-graphql-api/>

*Writing a CICS 64-bit assembler program* by Adrian Bull on CICS DevCenter (1 February 2018). You can find the article at: <https://developer.ibm.com/cics/2018/02/01/writing-cics-64-bit-assembler-program/>

## About the Virtual CICS user group

The Virtual CICS user group was established as a way for individuals using IBM's CICS TS systems to exchange information, learn new techniques, and advance their skills with the product.

The Web site at [www.fundi.com/virtualcics](http://www.fundi.com/virtualcics) provides a central point for coordinating periodic meetings (which contain technically-oriented topics presented in a webinar format), and provides articles, discussions, links, and other resources of interest to IBM CICS practitioners. Anyone with an interest in CICS is welcome to join the Virtual CICS user group and share in the knowledge exchange.

To share ideas, and for further information, contact [trevor@itech-ed.com](mailto:trevor@itech-ed.com).

The Virtual CICS user group is free to its members.