

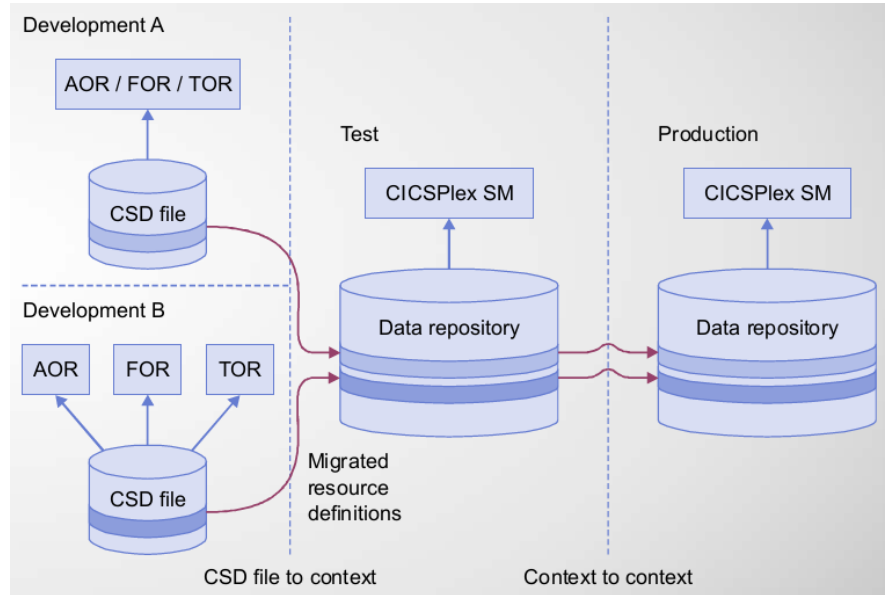


Welcome to the Virtual CICS user group newsletter. The Virtual CICS user group at [www.fundi.com/virtualcics](http://www.fundi.com/virtualcics) is an independently-operated vendor-neutral site run by and for the CICS user community.

## Virtual CICS user group presentation

The latest webinar from the Virtual CICS user group was entitled, “Efficient management of online resources using CICS Configuration Manager”, and was presented by Ezriel Gross, formerly CEO of Circle Software, now with Rocket Software.

Ezriel was, until recently, the CEO of Circle Software, an IBM Business Partner that specialized in hands-on classes in CICS, DB2, and MQSeries. Ezriel has been a ‘Gold Consultant’ for many years and has recently become an IBM Champion. Besides consulting, he teaches and develops CICS courses for both IBM and Circle. His specialties include: CICS Web Services, CICS Web Support, CICS Performance / Tuning, CICS



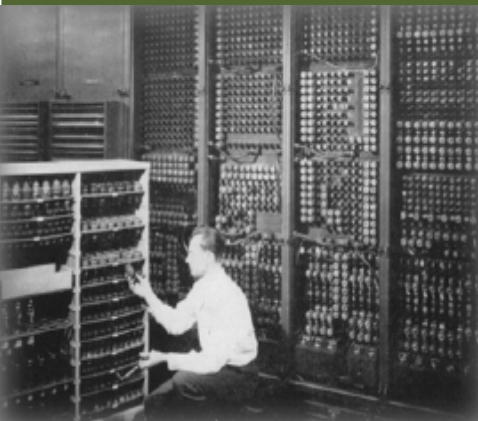
**Figure 1: Why the need for CICS CM**

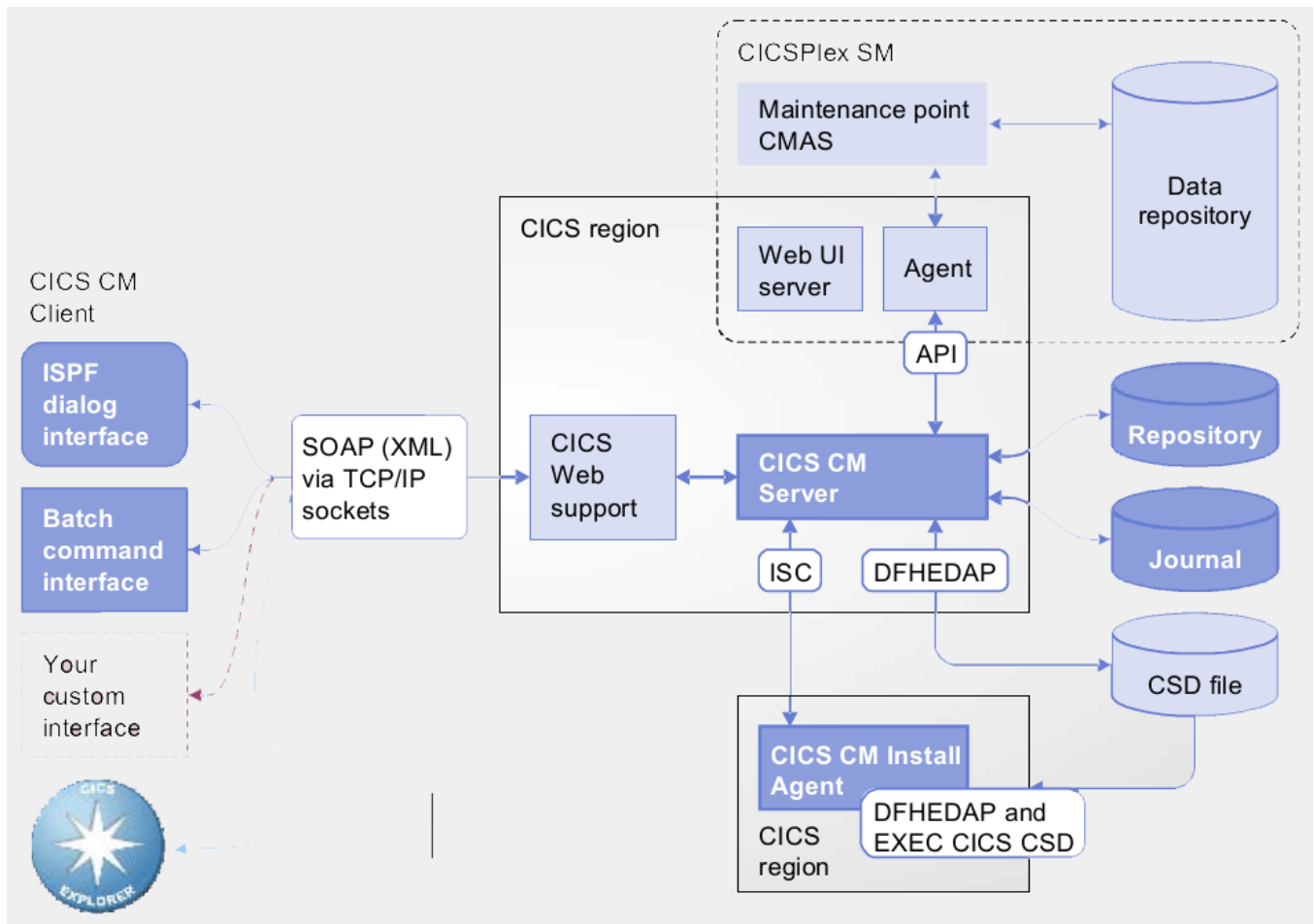
Internals, CICSPlex SM, DevOps for CICS and CICS Liberty. Recently, Ezriel co-architected the C\PROF product, a CICS tool that captures CICS trace without running in a CICS region, that was marketed and sold by Circle Software.

Ezriel Gross started his presentation by looking at the need for CICS

### Contents:

Virtual CICS user group presentation	1
Meeting dates	4
Recent CICS articles	4
CICS news	4
About the Virtual CICS user group	4





**Figure 2: CICS CM architecture**

Configuration Manager (see Figure 1). He said that it can be used to manage resource definitions on multiple repositories across diverse environments. It can make rapid and frequent updates to resource definitions to handle new business requirements. It can help users to understand the impact of definition attributes on target environments. And it can identify duplicate, redundant, or inconsistent resource definitions.

Figure 2 illustrates the CICS CM architecture.

Next Ezriel looked at some sample use cases, including:

- Editing CSD (CICS System Definition) files
- Working with CSD files and CPSM BAS (CICSplex System Manager Business Application Services) repository
- Migrating changes between environments
- Delegating and approving changes
- Changes across LPAR boundaries

- Backout
- Audit compliance
- Clean-up and analysis
- Comparisons and exception analysis
- Cold start analysis
- Control of related zFSfiles
- Audit of DFHCSDUP changes.

When editing CSD files, CICS CM provides: a single point of control (via the CICS CM Server); an audit trail; and easy backout. In



**Figure 3: Audit compliance**

In addition, application CICS regions may be inactive when editing CSD files.

When working with CSD files and CPSM BAS repository, CICS CM provides a single user interface; it's seamless across CSD files and CPSM repositories; and it copies resource definitions in either direction.

When migrating changes between environments, CICS CM can: group changes into a CICS CM change package; manage the package as a single unit; support Ready, Approve, and Backout processing, and provide APIs and exit-points for integration to change-control products.

When it comes to delegating and approving changes, CICS CM can: provide security controls by repository, Group, type, and name; provide standards enforcement for attribute values; approve change packages before migration; and provide an audit trail with easy backout.

For changes across LPAR boundaries, CICS CM can: export definitions selectively by Copy or via change package Migrate; provide samples to illustrate automated file transfer to remote sites; and import definitions with auto-register of change packages.

For backout, CICS CM can: ensure that all changes are logged to a journal file; backout the entire change package; recover individual resource definitions; and display resource definition histories on screen.

For audit compliance, CICS CM ensures that: all changes are logged to a journal file; online histories and journal-event views are provided; and there is ISPF, Explorer, and batch journal audit reporting.

For comparisons and exception analysis, CICS SM: provides side-by-side compare of Lists, Groups, or Resources; compare across CSDs, CPSM DRs, or history views; uses 'checksum' analysis (hash-value used as a compare indicator) for:

- Predefined attribute lists for checksum calculation
- User-selectable attributes for checksum calculation
- n-Way analysis across 2, 3, 4 or multiple repositories
- 'Show' exception analysis to highlight anomalies.

For cold start analysis, CICS SM: provides immediate analysis – no need to stop/start CICS regions; supports CSD, CPSM, or CSD/CPSM hybrid models; understands 'order-sequence' processing and RASGNDEF overrides;

provides filtering for auto-install, dynamic resources, known conditions; and provides reports.

For control of related zFSfiles, CICS SM can define 'ZFSFILE' resource definitions that refer to zFS files or directories. Then migrate or copy the ZFSFILES to the desired CICS configuration along with the related CICS resources.

For audit of DFHCSDUP changes, CICS SM can collect DFHCSDUP audit records with no changes to existing interfaces or to existing JCL DFHCSDUP jobs.

Ezriel demonstrated on the product how to attain the goals he described.

A copy of Ezriel Gross' presentation is available for download from the Virtual CICS user group Web site at <https://itech-ed.com/CICS/CICSCMMar19.pdf>.

You can see and hear the whole user group meeting on YouTube at <https://youtu.be/vqohSBHY-z0>.

## Meeting dates

The following meeting dates have been arranged for the Virtual CICS user group:

- 14 May 2019, Tom Dunlap, CTO at Themis,

Inc will be back with us. He will be discussing, "The CICS / MQ interface".

- The following meeting is on 9 July 2019, when Colin Pearce will be with us. He will be discussing, "How to solve CICS Enqueue problems".

We are using Webex for the user group meetings.

## Recent CICS articles

*Check CICS health quickly with IBM CICS Statistics Visualizer* by Vera Chen on CICS DevCenter (8 March 2019). You can find the article at: <https://developer.ibm.com/cics/2019/03/08/cics-statistics-visualizer/>

*JSON Web Tokens (JWT): Now supported in CICS* by Eric Phan on CICS DevCenter (6 February 2019). You can find the article at: <https://developer.ibm.com/cics/2019/02/06/json-web-tokens/>

## CICS news

IBM has announced IBM Z Open Unit Test, an automated unit testing tool for batch and CICS programs. The product works in conjunction with IBM Z Open Development to create a continuous development, testing, and delivery environment. Some of the

key features out-of-the-box include:

- Automated data capture and recording.
- Test case generation for COBOL CICS programs with stubbing capabilities.
- Ability to store test cases in any SCM, including modern SCMs like Git or RTC.

The automated unit testing capabilities are delivered as an integrated part of:

- IBM Developer for z Systems V14.1.6
- IBM Developer for z Systems Enterprise Edition V14.1.6.

## About the Virtual CICS user group

The Virtual CICS user group was established as a way for individuals using IBM's CICS TS systems to exchange information, learn new techniques, and advance their skills with the product.

The Web site at [www.fundi.com/virtualcics](http://www.fundi.com/virtualcics) provides a central point for coordinating periodic meetings (which contain technically-oriented topics presented in a webinar format), and provides articles, discussions, links, and other resources of interest to IBM CICS practitioners. Anyone with an interest in CICS is welcome to join the Virtual CICS user group and share in the knowledge exchange.

To share ideas, and for further information, contact [trevor@itech-ed.com](mailto:trevor@itech-ed.com).

The Virtual CICS user group is free to its members.